

SPECIFICATIONS



GENERAL

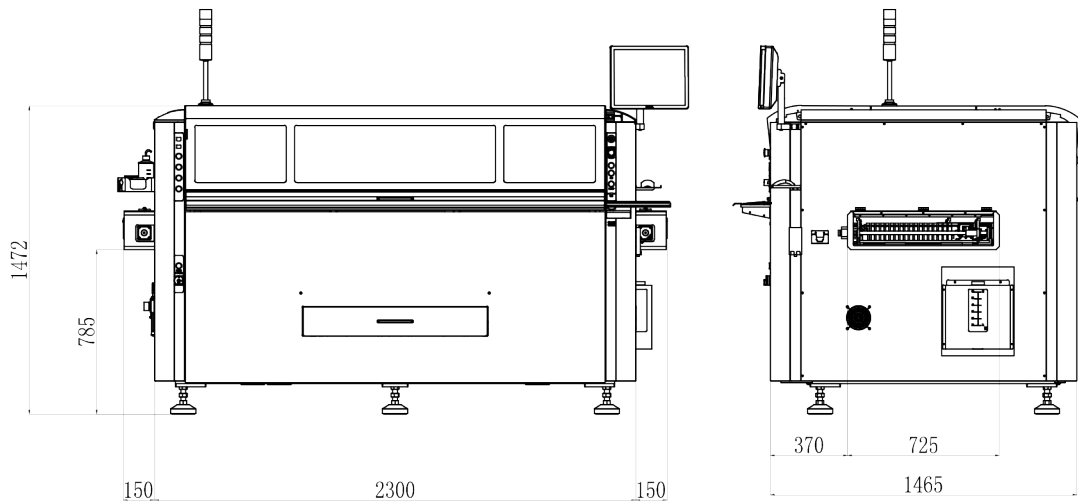
Machine alignment repeatability	+/-12.5µm @ 6 sigma
Machine process accuracy	+/-25µm @ 6 sigma
Core cycle time	16 seconds
Stencil size min / max	736mm x 736mm / 1850mm x 736mm
PCB size min / max	80mm x 80mm / 1550mm x 560mm
PCB Thickness	0.4mm to 6mm
PCB Weight (max)	10kg
PCB Underside clearance	14mm (standard), 25mm (optional)
PCB Clamping	Top clamps, side clamps
PCB Support	Magnetic pins, support block, vacuum block, vacuum pins
Stencil positioning	Automatic
Transport direction	L to R (standard), R to L (optional)
Conveyor width adjustment	Fully Automatic
Under Stencil Cleaner	Wet, dry, vacuum, air
Squeegee Pressure	4-20 kg
2D Inspection	Paste presence/absence, bridge detection
Laser Guided Tooling Pin Placement	Included
3D Stencil Solder Paste Management	Included
Closed Loop Squeegee Pressure Control	Included
Traceability	Included
SPI Closed Loop	Included

OTHERS

Product Changeover	2 minutes
New Product Set Up	5 minutes
Software	Windows Operating System
Air Supply	6 Bar (85 psi)
Power Supply	220V Single Phase, Max. 1Kw 50/60Hz
Dimensions	2600mm x 1465mm x 1472mm
Crated Weight	1,800 kg
Uncrated Weight	1,500 kg

OPTIONS

Automatic Paste Dispenser	
Fully Automatic Tooling Pin Placement	
Stencil Vacuum	
Conveyor PCB Upgrade (25mm Under PCB Clearance & 2 PCB stops)	
Adjustable Vacuum Box	



As part of our policy of continuous development, specifications are subject to change without prior notice.



Europlacer Americas
4640 E. Elwood St.
Suite 14
Phoenix, AZ 85040
USA
contact@eurolacer.com
+1 480 672 1100



Europlacer China
Floor 1, Building 1
No.80 Huashen Road,
Shanghai Waigaoqiao
Free Trade Zone,
P.R.China 200131
contact-china@eurolacer.com
+86 (021) 5868 3500



Europlacer France
Route de Cholet
85620 Rocheservière
France
contact@eurolacer.fr
+33 (0)2 5131 0303



Europlacer Germany
Im Böning 24
63695 Glauburg
Germany
contact@eurolacer.de
+49 (0)60 419 692 300



Europlacer Italy
Via Flavia, 35
34148 Trieste
Italy
contact@eurolacer.it
+39 (0)40 832 0563



Europlacer Spain
AV Atenas 127
19170 El Casar
Guadalajara
Spain
contact@eurolacer.es
+34 (0)673 171 249



Europlacer UK
30 Factory Road
Upton Industrial Estate
Poole, Dorset BH16 5SL
United Kingdom
contact@eurolacer.co.uk
+44 (0)1202 266500



Europlacer Asia Pacific
Taiwan, Japan, Korea, Malaysia, Thailand...
No. 10, Lane 3, Anzhong St.
MIT Industrial Park, Luzhu District,
Taoyuan City, **Taiwan** 338
contact-apac@eurolacer.com
+886 (0)3 322 4499