

SPECIFICATIONS



GENERAL

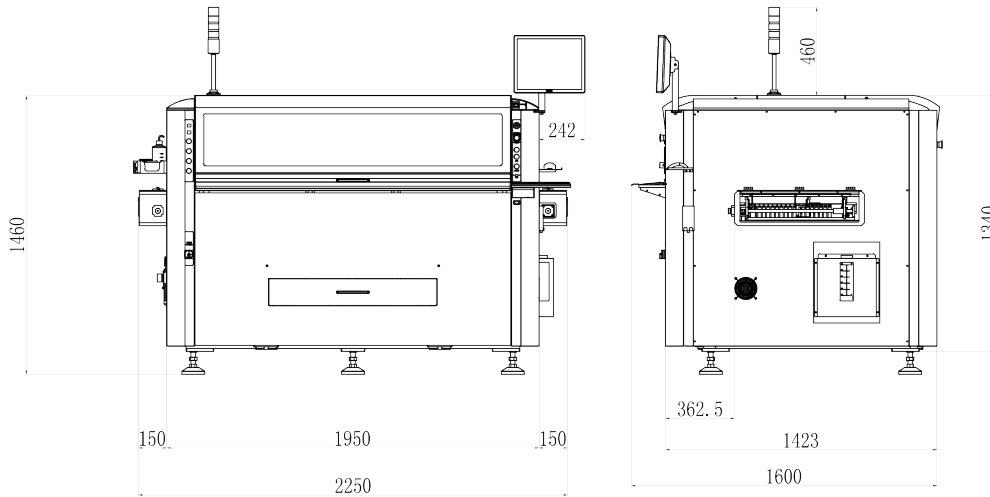
Machine alignment repeatability	+/-12.5µm @ sigma
Machine process accuracy	+/-25µm @ 6 sigma
Core Cycle time	14 seconds
Stencil size min / max	736mm x 736mm / 1500mm x 736mm
PCB size min / max	80mm x 80mm / 1220mm x 508mm
PCB Thickness	0.4mm to 6mm
PCB Weight (max)	10kg
PCB Underside clearance	14mm (standard), 25 mm (optional)
PCB Clamping	Top clamps, side clamps
PCB Support	Magnetic pins, support block, vacuum block, vacuum pins
Stencil positioning	Automatic
Transport direction	L to R (standard), R to L (optional)
Conveyor width adjustment	Fully Automatic
Under Stencil Cleaner	Wet, dry, vacuum, air
Squeegee Pressure	4-20 kg
2D Inspection	Paste presence/absence, bridge detection
Laser Guided Tooling Pin Placement	Included
3D Stencil Solder Paste Management	Included
Closed Loop Squeegee Pressure Control	Included
Traceability	Included
SPI Closed Loop	Included

OTHERS

Product Changeover	2 minutes
New Product Set Up	5 minutes
Software	Windows Operating System
Air Supply	6 Bar (85 psi)
Power Supply	220V Single Phase, Max. 1Kw 50/60Hz
Dimensions	2250mm x 1423mm x 1460mm
Crated Weight	1,500 kg
Uncrated Weight	1,200 kg

OPTIONS

- Automatic Paste Dispenser
- Fully Automatic Tooling Pin Placement
- Stencil Vacuum
- Conveyor PCB Upgrade (25mm Under PCB Clearance & 2 PCB stops)
- Adjustable Vacuum Box



As part of our policy of continuous development, specifications are subject to change without prior notice.